

FUZE MAX SPOT



800W Full Spectrum RGBMA LED Spot Fixture

DATA SHEET



KEY FEATURES

- Full Spectrum 800W RGBMA LED Engine
- Precise dynamic whites from 2400 - 8500K
- Instant color changes, Natural color transitions
- Rich and intense primary colors
- Dual Rotating and Fixed Gobos plus Animation Wheel
- Iris, Prism, and Dual Frost
- Wide Zoom Range from 7° to 53°
- Large 140mm front aperture

The **FUZE MAX SPOT™** is a full spectrum automated LED Spot fixture designed for theater, television and a wide array of other precision lighting applications. The 92 CRI engine utilizes a 800W 5-color homogenized LED array consisting of Red, Green, Blue, Mint, and Amber sources. The carefully tuned LEDs ensure accurate color reproduction and dynamic whites while delivering a powerful output of over 21,000 lumens. Virtual color temperature, Magenta / Green adjustment plus CMY emulation provide the designer with immediate access to the impressive LED color array.

The **FUZE MAX SPOT** is designed for any application where fully automated spot fixture with outstanding and compelling color range and quality is required. Two rotating gobo wheels, one fixed gobo wheel, animation wheel, dual frost, prism and iris round out its comprehensive feature set in this quiet and extremely powerful automated spot fixture.



FUZE MAX SPOT



800W Full Spectrum RGBMA LED Spot Fixture

SPECIFICATIONS

SOURCE

800W 6,500K RGBMA LED Engine
30,000 Hour Average LED Life*

*Test lab conditions. May vary depending on several factors including but not limited to: Environmental Conditions, Power/Voltage, Usage Patterns (On-Off Cycling), Control, and Dimming.

PHOTOMETRIC DATA

21,000 Total Lumen Output
CRI 92

Zoom Range 7° - 53°
Beam Angle 6.6° - 50.3°
Field Angle 7.8° - 55°

EFFECTS

Motorized Zoom
Dual Variable Frost Filter (Medium/ Wash)
4 Facet Round, 4 Facet Linear Prism
Motorized Iris
Variable 16-bit Dimming Curve Modes
High Speed Electronic Shutter and Strobe
Pan Angle: 540° / 630°
Tilt Angle: 250°

COLOR

RGBMA Color Array
CMY Emulation
Variable CCT 2400K - 8500K
Green/Magenta Shift
Virtual Gel Swatch Book

GOBOS

2x 6 Rotating / Indexing Interchangeable Glass Gobos
1x 7 Fixed Interchangeable Glass Gobos
Animation Wheel

CONTROL / CONNECTIONS

4 DMX Channel Modes (RGBMA 34/44) (CMY 32/40)
16-bit Pan, Tilt, and Dimming Control
DMX Adjustable LED Frequency
DMX, RDM, Art-NET, sACN Protocol Support
4 Button Touch Control Panel
Full Color 180° Reversible LCD Menu Display
16 Bit Resolution Adjustable Movement
5pin DMX In/Out
Locking Ethernet In/Out
IP65 Locking Power Cable In
With Wired Digital Communication Network

SIZE / WEIGHT

Length: 18.19" (462mm)
Width: 21.26" (540mm)
Width with Snoot: 23.2" (590mm)
Vertical Height: 28.3" (719mm)
Vertical Height with Snoot: 30.4" (771mm)
Weight: 76.2 lbs. (34.5kg)

ELECTRICAL / THERMAL

AC 100-240V - 50/60Hz
1214W Max Power Consumption
14°F to 113°F (-10°C to 45°C)
BTU/hr (+/- 10%) 3839.66

OPTIONAL ACCESSORIES

7030100797 - Snoot

APPROVALS / RATINGS

CE | cETLus | IP20



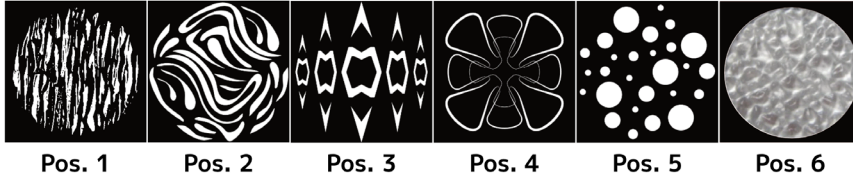
FUZE MAX SPOT



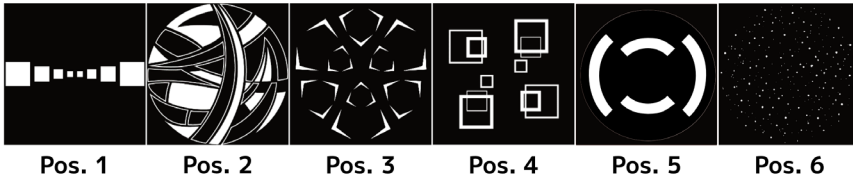
800W Full Spectrum RGBMA LED Spot Fixture

GOBOS | COLORS | ANIMATION WHEEL

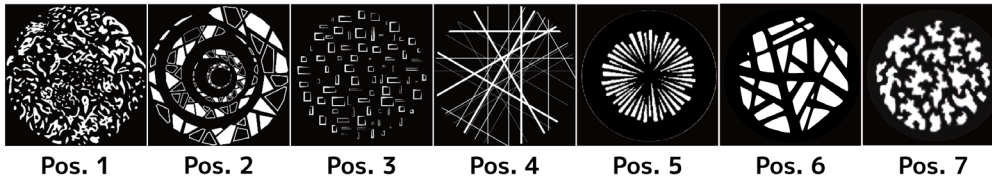
ROTATING GOBO WHEEL 1



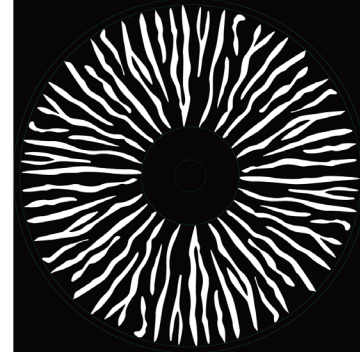
ROTATING GOBO WHEEL 2



FIXED GOBO WHEEL 1



BI-DIRECTIONAL ANIMATION WHEEL



ORDERING INFORMATION

FUZ528	Fuze Max Spot (US)
1237000257	Fuze Max Spot (EU)
7030100797	Snoot



Specifications are subject to change without notice ©Elation Professional 05/30/2023
 Elation Professional USA | 6122 S. Eastern Ave. | Los Angeles, CA. 90040
 323-582-3322 | 323-832-9142 fax | www.elationlighting.com | info@elationlighting.com

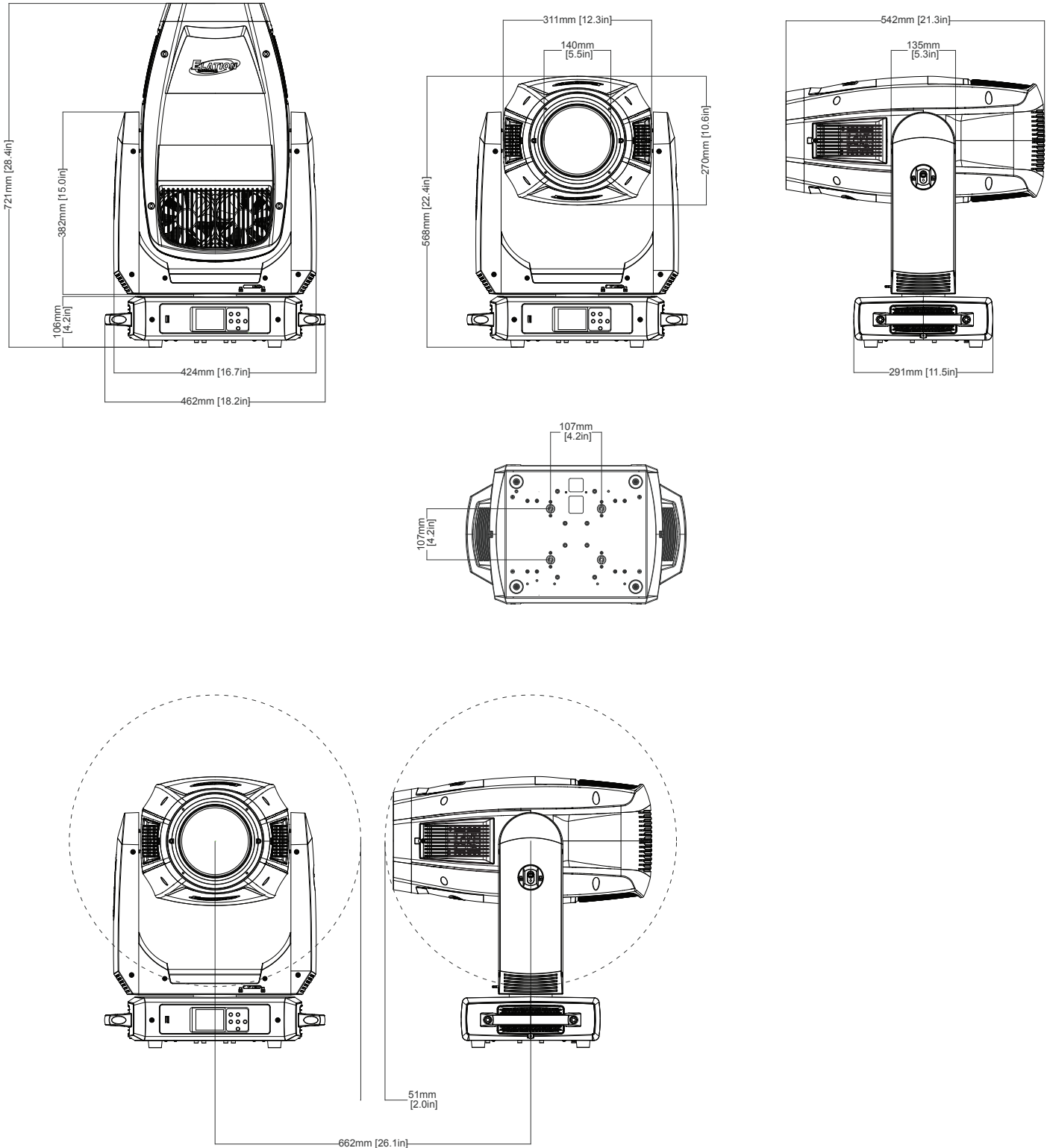
Elation Professional B.V. | Junostraat 2 | 6468 EW Kerkrade, The Netherlands
 +31 45 546 85 66 | +31 45 546 85 96 fax | www.elationlighting.eu | info@elationlighting.eu

FUZE MAX SPOT



800W Full Spectrum RGBMA LED Spot Fixture

UNIT DIMENSIONS



Specifications are subject to change without notice ©Elation Professional 05/30/2023

Elation Professional USA | 6122 S. Eastern Ave. | Los Angeles, CA. 90040
323-582-3322 | 323-832-9142 fax | www.elationlighting.com | info@elationlighting.com

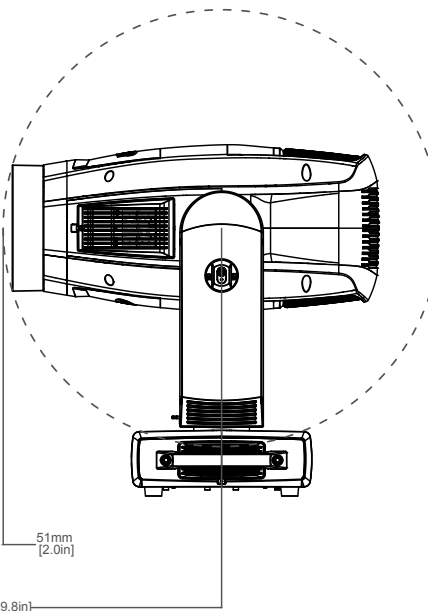
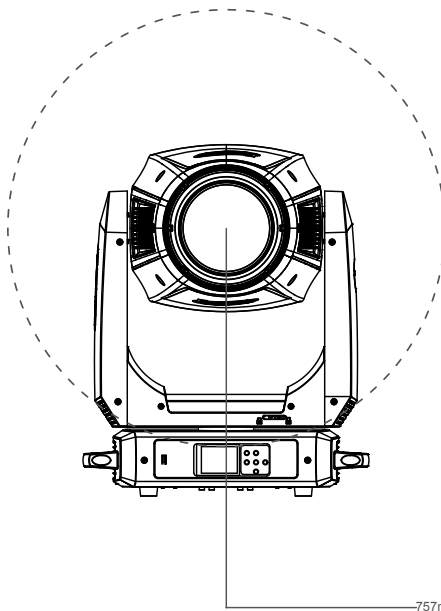
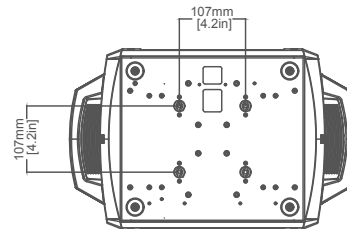
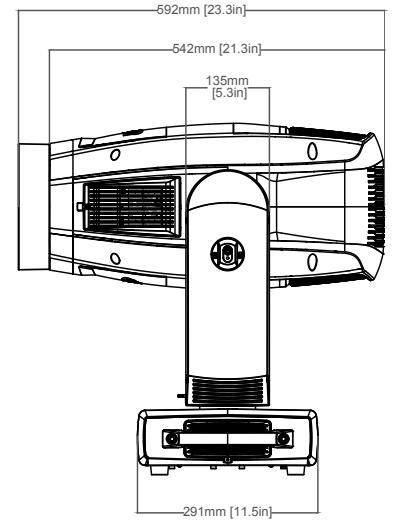
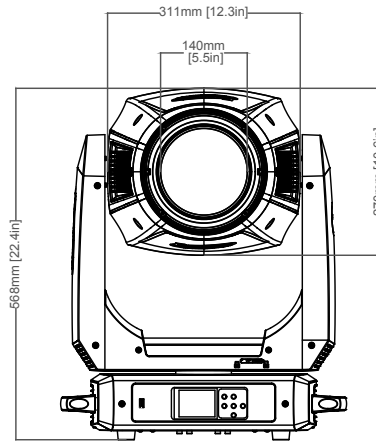
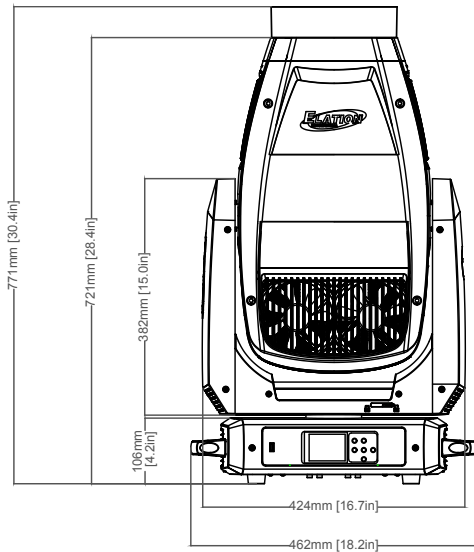
Elation Professional B.V. | Junostraat 2 | 6468 EW Kerkrade, The Netherlands
+31 45 546 85 66 | +31 45 546 85 96 fax | www.elationlighting.eu | info@elationlighting.eu

FUZE MAX SPOT



800W Full Spectrum RGBMA LED Spot Fixture

UNIT DIMENSIONS WITH SNOOT



51mm [2.0in]

757mm [29.8in]



Specifications are subject to change without notice ©Elation Professional 05/30/2023
Elation Professional USA | 6122 S. Eastern Ave. | Los Angeles, CA. 90040
323-582-3322 | 323-832-9142 fax | www.elationlighting.com | info@elationlighting.com

Elation Professional B.V. | Junostraat 2 | 6468 EW Kerkrade, The Netherlands
+31 45 546 85 66 | +31 45 546 85 96 fax | www.elationlighting.eu | info@elationlighting.eu